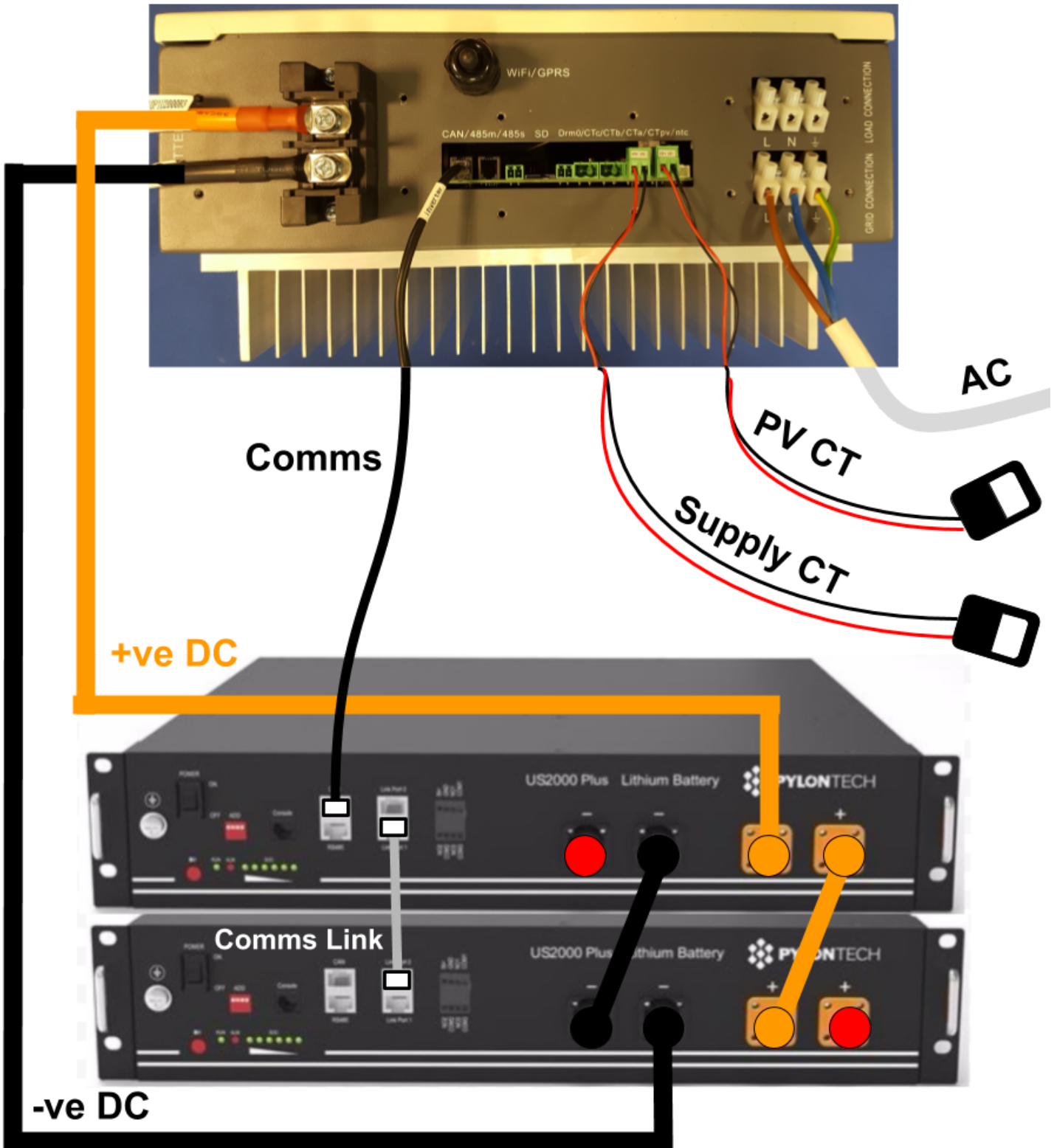


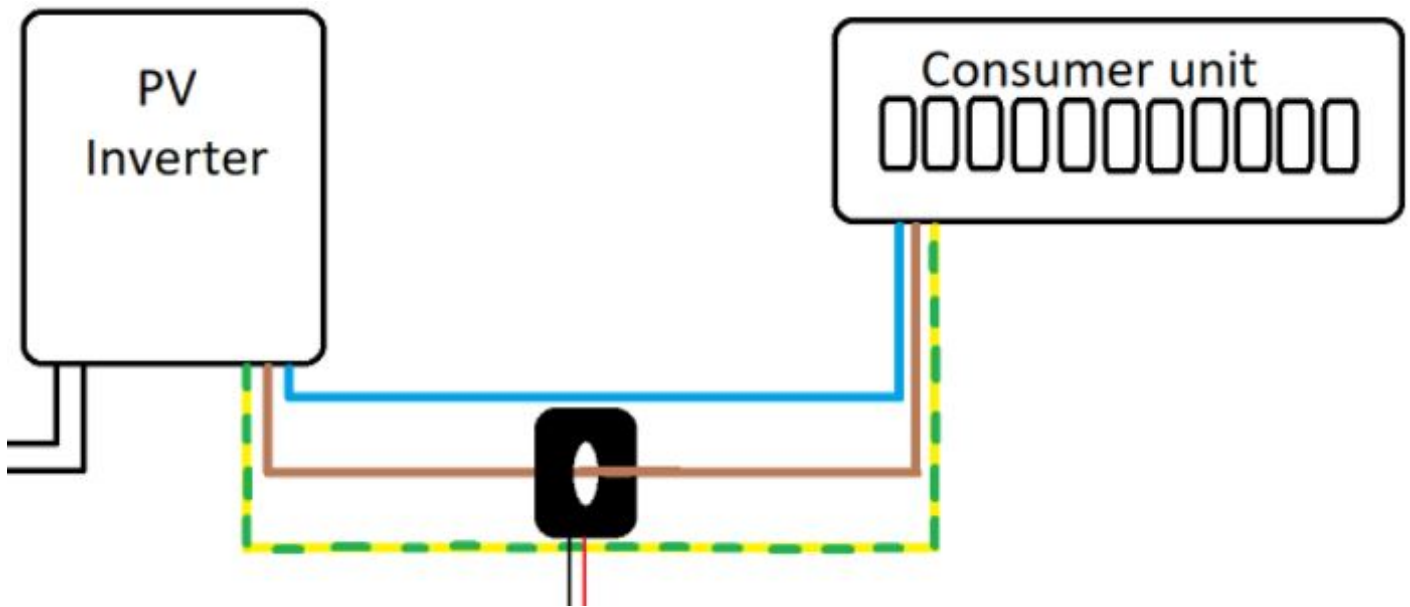
# Sofar ME3000SP Quick Install Guide

For Sofar firmware versions V1.8 and above



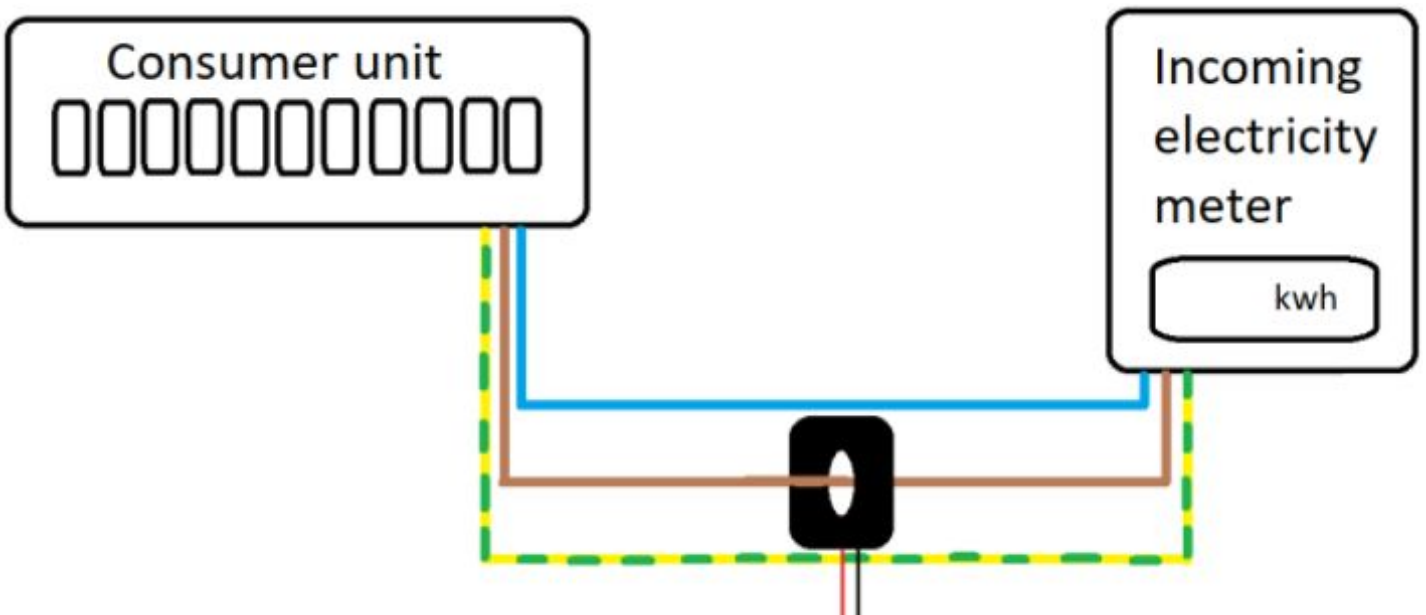
## PV CT Clamp

CT<sub>pv</sub> on the **live line only**, between the PV inverter and the CU



## Supply CT Clamp

CT<sub>a</sub> on the **live line only**, between the cut-out and the CU



- Use CAT V cable to extend CT clamps
- Use mating colours (i.e. orange + orange stripe) to ensure a strong signal
- Loose or incomplete connections will result in incorrect or null readings

# Commissioning

- **Turn everything off**
  - All Pylon battery(s) off via switch on front
  - AC supply to Sofar off
  - DC and AC supply to PV inverter off
- **Ensure a minimum of 200W demand in the property**
- **Turn on the Pylon battery(s)**
  - Use the on/off switch on the front
- **Press the red SW button on the Master battery**
  - The Sofar will **not** light up, this is normal
- **Wait 3 minutes**
  - This step is vital, otherwise the Sofar will not turn on
- **Turn on the AC supply to the Sofar**
- **Enter time, date and country settings**
  - UK G83/2 is number 16 on the country selection
- **Select Pylontech batteries**
  - With the latest Sofar firmware (**V1.8** or above), you do **not** need to enter battery parameters, these are automatically detected

The Sofar should be in discharge mode now, supplying the loads in the house from the battery

## Final Checks

- **Turn on AC and DC to the PV inverter**
  - Wait for it to start generating
  - Ensure PV reading on Sofar screen matches generation reading on PV inverter screen
- **Test charge mode**
  - Turn off as many loads as possible so that PV generation is greater than demand
  - The Sofar should go into charge mode
- **Test discharge mode**
  - Turn on a kettle or other heavy load
  - The Sofar should go into discharge mode

# Success!

### Disclaimer:

This Guide is designed to offer a few hints and tips to installers getting to grips with the Sofar ME3000SP battery storage system with Pylon batteries. This **should not** be treated as a replacement, or alternative, to the official Sofar installation manual. Midsummer Energy Ltd take no responsibility for errors made during installation that occur from mistakes or omissions in this document. If you are at all unsure please consult the official manual.